



LED T8 Type AB Tubes

Features and Benefits

Bypass Application: 120-277 line voltage
Plug and Play Application: Compatible with many Instant and Programmed Start Ballasts
Instant startup
115+ lumens per watt (bare lamp line voltage efficacy)
Double ended construction for safety
Shunted or non-shunted lampholders
Highly durable plastic shatterproof available

Specifications

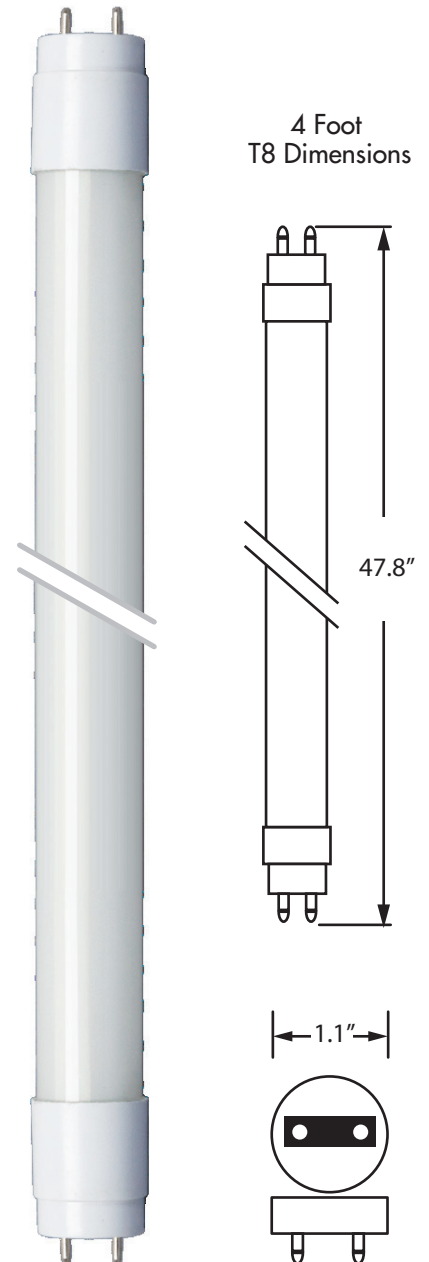
Base Type: G13
Construction: Double ended
Wattage: 15w – 16w
Operating temperature range: -20c – 45c
Safety: ETL Classified
Target Replacement Lamps: 32W/48T8
Environment: Damp/dry locations
Enclosed: Suitable for enclosed luminaires
Rated life: L70 50,000+ hours
Beam Angle: 190°
Field Angle: 300°

Listing

ETL Classified
RoHS Compliant

Warranty

Five years against defects in manufacturing



ETL CLASSIFIED



RoHS
COMPLIANT

5 YEAR
WARRANTY



To view our DLC qualified products, please consult the DLC Qualified Products List at www.designlights.org/qpl.

LED T8 Type AB Tubes— Ballast and Line Voltage Compatible

Item#	DLC Model#	Description	CRI	PF	THD	Line Voltage Watts	Line Voltage Lumens	Line Voltage LPW	LBF System Watts**	NBF System Watts	LBF Lumens**	NBF Lumens*	NBF System LPW
LED 15 WATT T8 TUBE – 4 FOOT GLASS													
LT815AB30K	T8040730E	LED 15W 4' T8 AB 30K	>80	>.9	<10%	16W	1750	109.4	13.6	15.3	1550	1760	115.0
LT815AB35K	T8040735E	LED 15W 4' T8 AB 35K	>80	>.9	<10%	16W	1800	112.5	13.6	15.3	1550	1760	115.0
LT815AB41K	T8040740E	LED 15W 4' T8 AB 41K	>80	>.9	<10%	16W	1800	112.5	13.6	15.3	1590	1800	117.6
LT815AB50K	T8040750E	LED 15W 4' T8 AB 50K	>80	>.9	<10%	16W	1800	112.5	13.6	15.3	1590	1800	117.6
LED 15.5 WATT T8 TUBE – 4 FOOT PLASTIC													
LPT815AB30K	T8041430E	LED 15.5W 4' T8 AB PL 30K	>80	>.9	<10%	16W	1750	109.4	13.6	15.3	1550	1760	115.0
LPT815AB35K	T8041435E	LED 15.5W 4' T8 AB PL 35K	>80	>.9	<10%	16W	1750	109.4	13.6	15.3	1550	1760	115.0
LPT815AB41K	T8041440E	LED 15.5W 4' T8 AB PL 41K	>80	>.9	<10%	16W	1800	112.5	13.6	15.3	1590	1800	117.6
LPT815AB50K	T8041450E	LED 15.5W 4' T8 AB PL 50K	>80	>.9	<10%	16W	1850	115.6	13.6	15.3	1620	1850	120.9
★ T8041435E	T8041435E	LED 15.5W 4' T8 AB PL 35K	>80	>.9	<10%	16W	1800	112.5	13.6	15.3	1590	1800	117.6
★ T8041441E	T8041440E	LED 15.5W 4' T8 AB PL 41K	>80	>.9	<10%	16W	1800	112.5	13.6	15.3	1590	1800	117.6
★ T8041450E	T8041450E	LED 15.5W 4' T8 AB PL 50K	>80	>.9	<10%	16W	1850	115.6	13.6	15.3	1590	1800	117.6

* Using OSRAM QTP 2x32T8/UNV ISN-SC electronic ballast.

** Nominal Values. Actual values are dependent on type electronic ballast used.

★ Product in QLS packaging.

